

4E & 5D KEYLINE SERIES



DEUTZ-FAHR
4080E - 5080D KEYLINE





**THE NEW 4E & 5D KEYLINE.
COMPACT DESIGN MEETS
GREAT INNOVATION.**



4E SERIES	4080E	5080D
Power (HP - Gross)	80	80
Rear hitch lift capacity (lb)	5,500	5,500
Wheelbase (in)	82.7	82.7
Base weight (lb)	6,600	6,800

Utility, light field work or around-the-farm chores – the new 4E Series is well suited for multiple uses on the farm. There are two models to choose from, cab or open station. The robust, one-piece hood, with its modern design made from high-quality steel, makes it clear at first glance that this utility tractor is offering innovative technology in a durable frame. The new 3-cylinder FARMotion engines are extremely powerful, reliable and economical. The transmissions both featuring a synchornized shuttle for ease of use. DEUTZ-FAHR has developed the front axles specifically for this utility class - 55 steering angle, differential locks and four-wheel drive with mechanical or electro-hydraulic activation, and four-wheel brakes. The at-

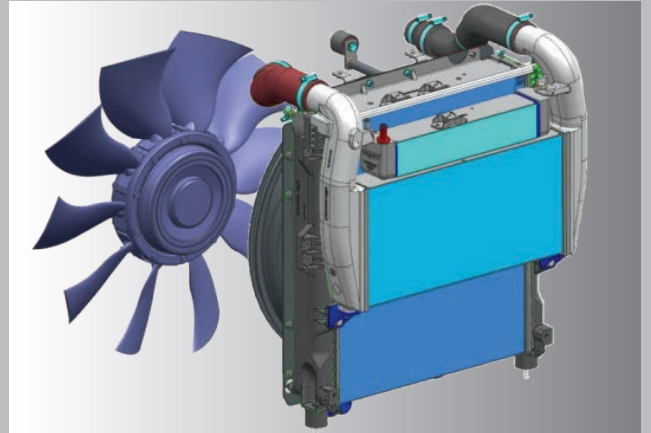
tachment points offer outstanding versatility. Features include a rear hitch lifting capacity of up to 5,500 lb, hydraulic pumps 13.2 gpm flow at the rear remote valves and 540 RPM PTO. The driver's platform meets the highest standard of comfort. The controls have been laid out for easy identification and operation. The new dashboard provides clear information about the operating conditions. Both the steering wheel and driver's seat are adjustable. With the new 4E and 5D Keyline Series, DEUTZ-FAHR is proving once again just how comfortable and versatile a utility tractor can be.



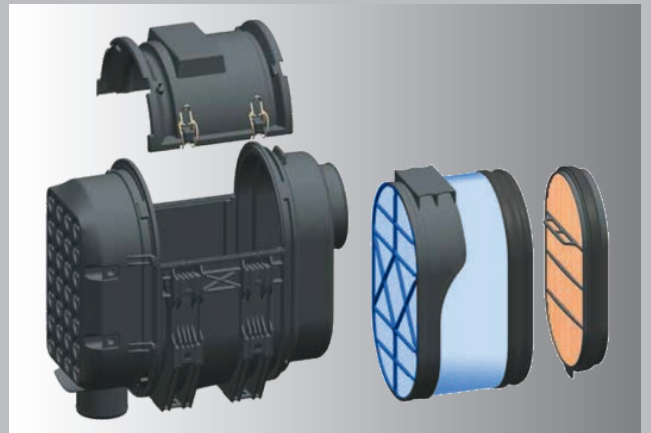
FARMOTION ENGINE.
COMPACT DESIGN MEETS
GREAT POWER



Electronic engine speed control improves comfort during long working days.



Cooling system with enlarged heat exchange surface area and viscous fan.



Low-maintenance, 2-stage PowerCore air filter with dust ejector.

Hard at work under the newly designed hood is the high performance FARMotion three-cylinder diesel engine. Specifically developed for agricultural applications, these compact, powerful engines feature turbocharging and high pressure common rail direct fuel injection, along electronic engine management, to supply maximum power and sustained torque even at low engine speeds. Using only exhaust gas recirculation (EGR) and a diesel oxidation catalyst (DOC), these engines meet EPA Tier 4 emissions requirements without requiring a diesel particulate filter (DPF) or diesel exhaust fluid

(DEF). FARMotion engines are very efficient with extremely low fuel consumption and minimal noise levels. Other new features include a compact cooling system with an enlarged cooling surface, intercooler, a fuel cooling system, optimized air flow with viscous fan, and the two-stage PowerCore air filter with dust ejector. Both systems support engine efficiency and are designed for long maintenance intervals as well as fast and straightforward servicing. With FARMotion engines, DEUTZ-FAHR is proving once again just how powerful and efficient a utility model can be.



**5D KEYLINE SERIES.
SIMPLY WORK
MORE ECONOMICALLY.**



All imaginable types of farmyard work, light transport applications and field work in moderately sized areas – the new 5D Keyline Series models are simply ideal for smaller and part-time farms. Simply impressive technology: Deutz-Fahr FARMotion engines with optimised displacement deliver 80 gross hp. with top performance, fuel efficiency and the best emissions values. Electronic common-rail injection at 2,000 bar, exhaust recirculation, intercooling, DOC exhaust after-treatment, compact radiator with Visco fan and PowerCore air filter – this really is state-of-the-art engine technology. The mechanical five-speed shuttle transmission has: 15 + 15 gears. Simply efficient: all of these vehicles reach a top speed of 25 mph at just 1,870 rpm. The 5080D Keyline features a four-wheel drive system and four-wheel brakes. The four-wheel drive and 100% differential lock have electro-hydraulic controls. Simply versatile: 13.2 gpm hydraulic pump for up to three mechanically controlled valves in the rear, rear power lift with 5,500 lbs lifting capacity and PTO with 540 rpm. Simply comfortable cabin: with 360-degree all-round visibility, wide doors and highly ergonomic operation. The new 5D Keyline Series models are the right choice for anybody wanting to work simply economically.



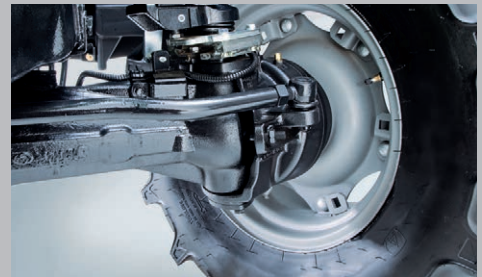
FARMotion engines with electronic 2,000 bar common-rail injection, exhaust recirculation and DOC system.



Compact radiator with Visco fan and PowerCore air filter for maximum engine efficiency.



Mechanical transmission with up to 15 x 15 gears, 25mph at 1,870 rpm.



Electronically activated four-wheel drive and 100% differential lock, four-wheel brake and 55-degree steering angle.



13.2 gpm hydraulic pump, up to three control valves, 5500 lbs rear power lift, 540 PTO.



Cabin comfort. 360-degree all-round visibility, highly ergonomic operation and choice of two roof options.



EASY-SHIFT TRANSMISSION.
BECAUSE GEAR-CHANGING IS
PRECISION WORK.



The right transmission for any operation and the right speed for any job – you can meet these challenges with the new 4E Series. Highly efficient with maximum precision. The mechanical transmission is a 15x15 synchro shuttle transmission with 5 synchronized gears, 25 mph transport speed, and 3 ranges including creeper. The convenient shuttle lever offers smooth, effortless, in-line shifting from forward to reverse on the roll without gear grinding. A creeper range provides low ground speed at high engine RPM for specialized applications. With the new 4E Series, DEUTZ-FAHR is proving once again just how precise and efficient a utility model can be.



The compact chassis and smart axle design allow for a steering angle of up to 55 degrees.



Electro-hydraulic activation of the 4wd and differential lock.



4-wheel braking with wet disc brakes.



Mechanical automotive-style parking brake near the operator for easy reach.



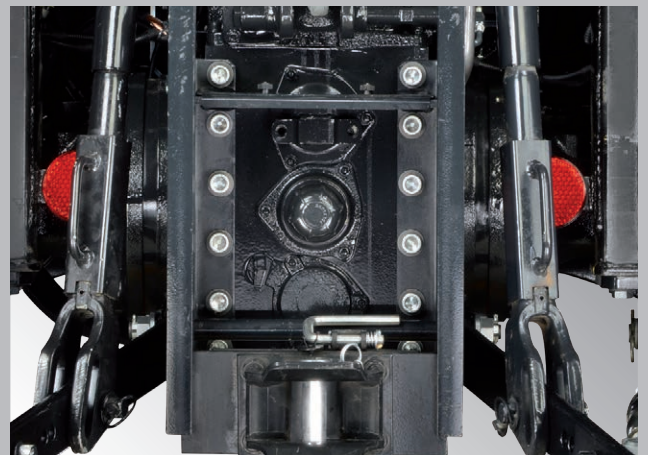
HYDRAULIC AND REAR LINKAGE
WORK. COMPACT DESIGN MEETS
GREAT VERSATILITY.



The rear 3-point hitch is mechanically operated with simple, familiar controls.



Two rear remote valves are standard equipment, with up to 3 possible.



540 RPM rear PTO with mechanical engagement for precise control.

General farm jobs, loader work, transport operations, field work and much more – the tasks of a utility tractor are extremely diverse. When it comes to the attachment points of the new 4E Series, nothing is impossible. As always with DEUTZ-FAHR, the mechanical rear power lift is extremely accurate with simple, precision control. It can lift up to 5,500 lb allowing it to handle the heaviest of implements. The category II 3-point linkage comes equipped with ball ends on the upper and lower link arms and mechanical stabilizers. For hydraulic implements, an open

center system with 13.2 gpm of hydraulic flow - the steering system is operated by a separate, dedicated pump. Each model comes with 2 rear remote valves, and up to 3 rear remote valves are possible. The new 4E and 5D Keyline Series also offers a 540 RPM rear PTO to power implements such as balers and mowers. The PTO is activated mechanically, ensuring a smooth start. With these attachment point features, DEUTZ-FAHR is proving once again just how versatile a compact utility model can be.



THE DRIVER'S PLATFORM.
COMPACT DESIGN MEETS
GREAT COMFORT.



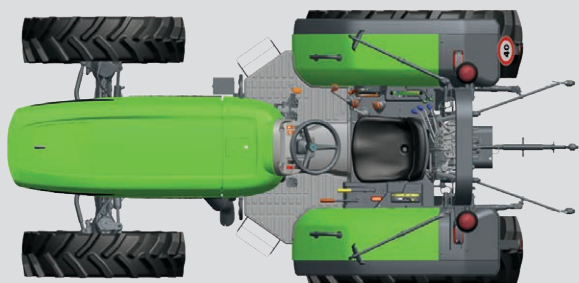
The new information display in the front dash keeps the operator informed about the machine's status and operation.



Transmission controls, foot and handle throttles, rear 3-point hitch and hydraulic controls are all within easy reach to the right side of the seat. (4080E).

DEUTZ-FAHR always puts the focus on the driver, prioritizing comfort and safety. The steering wheel and suspended seat are individually adjustable. There is plenty of space on the platform to allow the driver to move freely and get comfortable. Steps and handholds on both sides of the tractor make it easy to climb on and through. The controls have been arranged logically according to how often they are used and clearly identified with color coding. The parking brake, PTO controls and 4wd engagement are located on the left side of the driver. On the right are the transmission and differential lock controls, hand and foot throttles, rear 3-point hitch controls and the hydraulic remote valve

levers. The new central information display in the dash provides the driver with clear information about the tractor's operating conditions, in digital and analogue form. The new 4E Series naturally offers an unobstructed view in all directions. This not only makes the work more efficient, but also improves safety. The floor mat, made from insulating material, minimizes the amount of noise, vibration and heat transferred to the driver for a more comfortable work place. With the new 4E Series, DEUTZ-FAHR is proving once again just how comfortable a utility tractor can be.



Technical data		4E AND 5D	
		4080E	5080D
ENGINE			
Emission		Stage 4 / Tier 4	Stage 4 / Tier 4
Manufacturer		FARMotion	FARMotion
Cylinders / displacement	No. / liters	3 / 2.9	3 / 2.9
Bore x stroke	in	4.1 x 4.5	4.1 x 4.5
Aspiration		Turbocharged with intercooling	Turbocharged with intercooling
High-pressure injection		Common rail @ 29,000 PSI (2,000 bar)	Common rail @ 29,000 PSI (2,000 bar)
Gross power at 2,000 rpm	HP	80	80
Rated power at 2,200 rpm	HP	75	75
Max. torque @ 1,600 rpm	lb-ft / Nm	252	252
Torque rise	%	43%	43%
Fuel tank capacity	gal	19.8	19.8
SHUTTLE TRANSMISSION			
Synchro-shuttle transmission with in-line shuttle lever		●	●
MECHANICAL MANUAL TRANSMISSION			
Speeds (Forward x Reverse)		15 x 15	15 x 15
Gears and ranges		5 gears x 3 ranges	5 gears x 3 ranges
Max. transport speed	mph	25	25
Creeper gear		●	●
REAR PTO			
Mechanical activation		●	●
PTO speed 540 rpm		●	●
PTO safety shutoff		●	●
FRONT AND REAR AXLE			
Mechanical 4wd engagement		-	-
Mechanical differential lock engagement		-	-
Electro-hydraulic 4wd engagement		●	●
Electro-hydraulic differential lock engagement		●	●
BRAKES AND STEERING			
Mechanical parking brake		●	●
Hydrostatic steering with dedicated pump		●	●
Max. steering angle		55°	55°
Integrated front axle brakes		●	●
POWER LIFT			
Mechanical 3-point hitch control		●	●
Lifting capacity	lb	5,500	5,500
Position and draft control		●	●
HYDRAULICS SYSTEM			
Hydraulic system type		Open center	Open center
Hydraulic flow to implements	gpm	13.2	13.2
Rear remote valves		2 std	3 std
PLATFORM			
Digital dash display		●	●
Platform with rubber cover		●	●
Folding ROPS		●	●
Right and left side entry		●	●
Suspended seat		●	●
DIMENSIONS AND WEIGHTS			
With rear tires		420/70 R30	420/70 R30
Wheelbase	in	82.6	82.6
Max. length	in	152	152
Max. height at roll bar	in	97.3	97.3
Standard width	in	72.5	72.5
Base shipping weigh	lb	6,600	6,800
Max. permissible weight	lb	10,550	10,550

Technical data is based on manufacturer's estimates. In order to deliver a product that is more and more in line with your needs, DEUTZ-FAHR reserves the right to update the specifications of its machines at any time without notice.

●: standard ○: optional -: not available

Dealer

Deutz-Fahr America
535 Hurricane Shoals Court
Suite 100
Dacula, GA 30019
www.deutz-fahramerica.com



Deutz-Fahr and its logos are trademarks of Same Deutz-Fahr Italia S.P.A. in the U.S. and other countries used under license by PFG America, LLC. PFG America and logo are trademarks licensed to PFG America, LLC, which is the exclusive distributor of the Deutz-Fahr brand in the USA. Other logos are the trademarks of their respective owners. The standard and optional equipment and the availability of individual models might vary from one country to the next. PFG America reserves the right to undertake modifications without prior notice to the design and technical equipment at all times without any obligation whatsoever to make such modifications to units already sold. This brochure is for descriptive purposes only and while reasonable efforts were made to ensure that the specifications, descriptions, and illustrations in this brochure are correct at the time of printing, these are also subject to change without prior notice. Illustrations might show optional equipment, and might not show all standard equipment. PFG America disclaims all representations and warranties, express or implied, or any liability from the use or reliance upon this brochure. Power and other specifications are based on various standards or recommended practices not addressed herein. ©2018 PFG America, LLC. All Rights Reserved.