

5G Series

106-116 HP

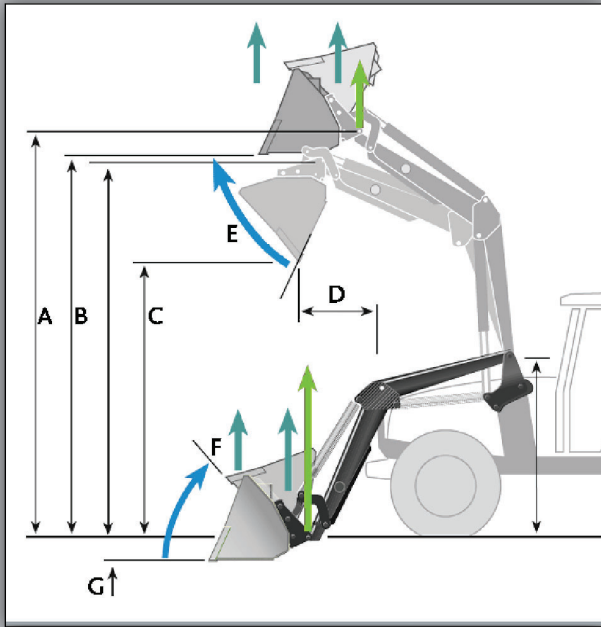


Their Premium. ***Our Standard.***

Deutz-Fahr standard tractors offer more features than most premium tractors which means our premium tractors are in a league of their own. Discover a new level of operator comfort and control; discover the Deutz-Fahr 5G Series.



The Deutz-Fahr 5G series combines legendary fuel economy and power with new levels of operator comfort and convenience. Available in five configurations from 106 - 116 hp, the 5G series fits perfectly on any livestock farm or hay and forage operation. With several unique features geared to making loader and PTO work easier while also reducing operator fatigue, the 5110G and 5120G are class-leading utility tractors.



Series (& Loader)		5G Series FZ 20/20.1	5G Series FZ 39-23	
DIMENSIONAL SPECIFICATIONS				
A	Maximum Lift Height at Pivot Point	in	147	152
B	Maximum Lift Height Under Level Bucket	in	139	143
C	Clearance with Bucket Dumped	in	106	109
D	Reach at Maximum Lift Height	in	28	28
E	Maximum Dump Angle	deg	59	57
F	Maximum Rollback Angle	deg	46	44
G	Digging Depth	in	8.3	8.3

LIFT CAPACITY at 2828psi (195 bar)			
AT PIVOT PIN, MAX LIFT HEIGHT	lbf	4407	3485
AT PIVOT PIN, GROUND LEVEL	lbf	5900	5171

AT 31.5" FORWARD OF PIVOT POINT, MAX LIFT HEIGHT	lbf	4407	3485
AT 31.5" FORWARD OF PIVOT POINT, GROUND LEVEL	lbf	5900	5171

BUCKET ROLBACK FORCE at 31.5" / 800mm forward of pivot point			
AT GROUND LEVEL	lbf	6798	6542
WEIGHT (loader boom only)	lbs	1047	1332

Premium German Loaders

Both the Standard and Premium 5G models offer the best in class FZ20 Stoll loaders. As the only manufacturer in America offering the high-tensile German steel loader from Stoll, your Deutz-Fahr 5G is a cut above the competition. Built-in comfort, ride accumulator, and standard electronic 3rd function are standard features and the ability to PowerShift the tractor from the loader joystick gives even more control and comfort in the operator's hand. Unique Z-kinematic geometry and high tensile steel helps increase lift capacity and durability. Your local Deutz-Fahr dealer also carries premium Stoll implements.



Front Hitch and PTO

Look at the job ahead and put the work behind you with a Front Hitch and PTO combination. Deutz-Fahr offers more standard configurations of Front Hitch and PTO tractors than any other brand. The 5120G is available with Front Hitch and PTO, perfect for mowing, organic weeding, material handling, and snow removal applications. With over 4,000 lb of lift capacity, you can lift more and look ahead at almost any task.

Warranty and Serviceability

All Deutz-Fahr tractors are designed to be easy to service and maintain. Designed with simplicity and longevity in mind, the 5110G and 5120G offer easy access to filters, grease points, sight glasses, and checks to make sure your Deutz-Fahr performs the way it was designed hour-after-hour and year-over-year. Backed by an Industry standard year / 2000 Hour warranty, you have the peace-of-mind that you're buying a quality product built to last. Your local Deutz-Fahr dealer is factory-trained in diagnostics and service with the parts in stock to take care of you and your business.



Simple Controls That Are Easy To Understand

To make your job simpler, the 5G Series places the controls in the cab so that they are easy to access and make operation quick and easy. All of the controls are color-coded and arranged according to frequency of use. Whatever routine work you have to do, the 5G can make it happen with just the push of a button.

Hydraulics

The 5G series offers 3 sets of remotes on all available models to maximize the productivity and functionality of your tractor. With a separate steering pump, hydraulic flow is dedicated to the implement without loss even when turning. The 5110G Standard and Premium offer a 14.5 gpm flow at the implement remotes as does the 5120 Standard. The 5120 Premium features a secondary pump for the hydraulic system and increases the rated flow to 23.7 gpm.





Stop & Go

In addition to having true four wheel drive utilizing wet disc brakes on our heavy duty front axle, all 5G models also offer STOP & GO Braking. Stop & Go Braking ties the clutch and brake pedal together allowing you to stop the tractor on the brake pedal using your right leg without engaging the clutch pedal. The tractor will maintain PTO rpm and take-off smoothly when the clutch is released. This feature was first introduced by Deutz-Fahr tractors nearly 20 years ago. Perfect for baling, mowing, and loader work!

True Four-Wheel Braking

Our proven heavy-duty front axle includes built-in four-wheel axle brakes. Born in the Italian and German Alps, the 5G brakes offer additional stability, comfort, and safety on the road or in the field.

Double Displacement Steering

The 5110G Premium and 5120G Premium also offer our popular SDD (Double Displacement Steering) feature. By engaging the SDD button, the operator can increase the steering speed of the front axle and cut their lock-to-lock steering wheel turns in half (5.5 to 2.5 turns of the wheel). This feature is great for loader work in tight areas or managing small fields and pastures.



Learn more at
deutz-fahramerica.com



5110G Standard

106 Horsepower
Hydro-silent Block Suspension
540/540E Rear PTO
Stop & Go Braking

5110G Premium

106 Horsepower
540/540E/1000/1000E Rear PTO
Stop & Go Braking
Double Displacement Steering
Hydro Silent Block

5110G Standard

ENGINE	TRANSMISSION
Deutz-Fahr / FARMotion 106 HP (Gross) 4 cyl. / 3.85 L	Gears (20F / 20R) PowerShift (Hi/Lo)

HYDRAULICS	WEIGHTS
14.5 GPM (Open-center) 3 Remotes	Base Weight: 8,625 lb Max. Weight: 13,650 lb 3-pt. Lift Capacity Standard Tires

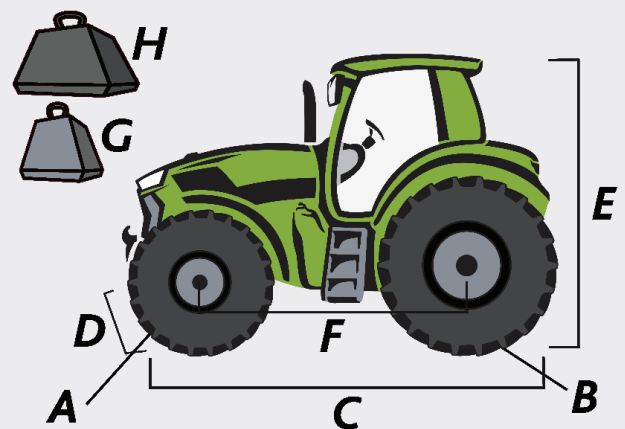
5110G Premium

ENGINE	TRANSMISSION
Deutz-Fahr / FARMotion 106 HP (Gross) 4 cyl. / 3.85 L	Gears (20F / 20R) PowerShift (Hi/Lo)

HYDRAULICS	WEIGHTS
14.5 GPM (Open-center) 3 Remotes	Base Weight: 8,625 lb Max. Weight: 13,650 lb 3-pt. Lift Capacity Standard Tires

5110G

SPECIFICATIONS	Standard	Premium
A Standard Front Tires	420/70 R24	420/70 R24
B Standard Rear Tires	480/70 R34	480/70 R34
C Max. Length (in)	167	167
D Min./Max. Width (in)	81-93	81-93
E Min./Max. Height (in)	104-106	104-106
F Wheelbase (in)	94	94
G Base Weight (lb)	8,625	8,625
H Max. Weight (lb)	13,650	13,650





Learn more at
deutz-fahramerica.com



5120G Standard

116 Horsepower
540/540E/1000/1000E Rear PTO
Stop & Go Braking
Hydro Silent Block

5120G Premium

116 Horsepower
540/540E/1000/1000E Rear PTO
Stop & Go Braking
Double Displacement Steering
Hydro Silent Block

5120G Standard

ENGINE	TRANSMISSION
Deutz-Fahr / FARMotion 116 HP (Gross) 4 cyl. / 3.85 L	Gears (20F / 20R) PowerShift (Hi/Lo)

HYDRAULICS	WEIGHTS
14.5 GPM (Open-center) 3 Remotes	Base Weight: 9,525 lb Max. Weight: 16,525 lb 3-pt. Lift Capacity Standard Tires

5120G Premium

ENGINE	TRANSMISSION
Deutz-Fahr / FARMotion 116 HP (Gross) 4 cyl. / 3.85 L	Gears (60F / 60R) PowerShift (Hi/Med/Lo)

HYDRAULICS	WEIGHTS
23.7 GPM (Open-center) 3 Remotes	Base Weight: 9,525 lb Max. Weight: 16,525 lb 3-pt. Lift Capacity Standard Tires

5120G

SPECIFICATIONS	Standard	Premium
A Standard Front Tires	420/70 R24	440/65 R28
B Standard Rear Tires	480/70 R34	540/65 R38
C Max. Length (in)	168	168
D Min./Max. Width (in)	87-102	87-102
E Min./Max. Height (in)	105-109	105-109
F Wheelbase (in)	94	94
G Base Weight (lb)	9,525	9,525
H Max. Weight (lb)	16,525	16,525

